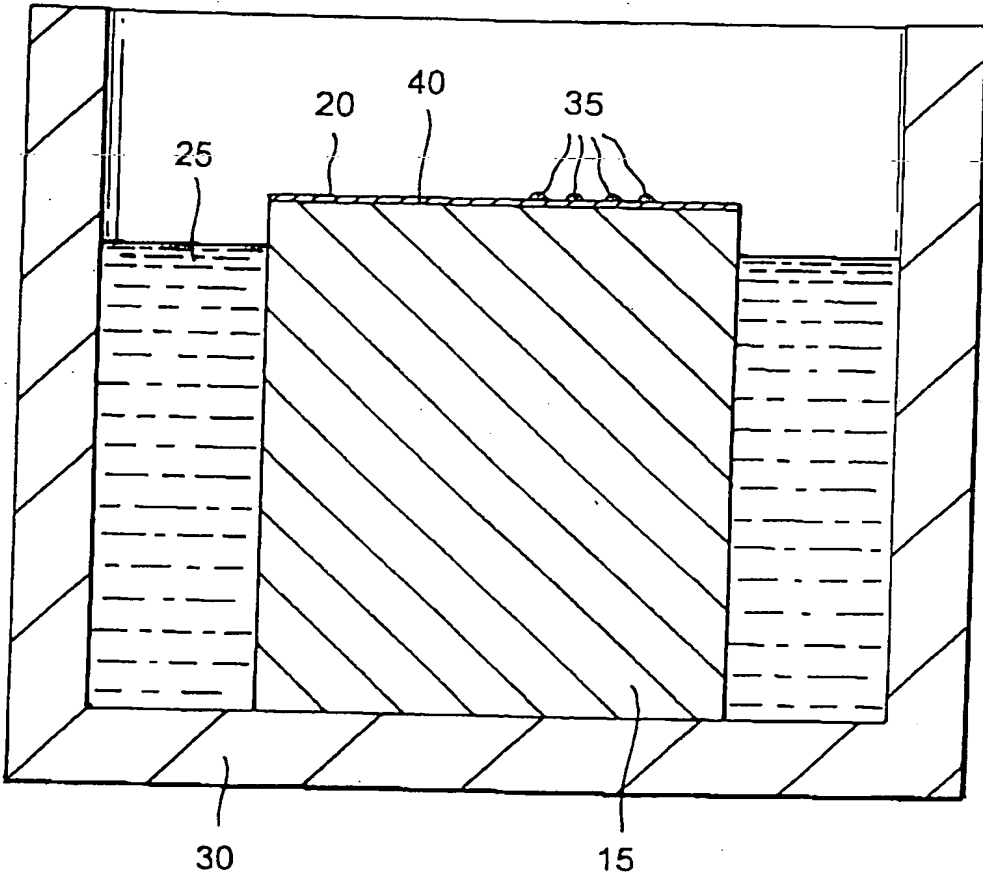


APPROVED	O.G. FIG.	
BY	CLASS	SUBCLASS
DRAFTSMAN		

1/1

10 ↗



097525-01041

FIG. 1